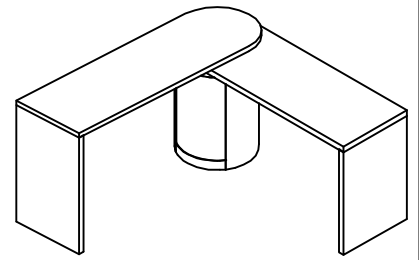


**Warning :**

- Be sure to check all packing material carefully for small parts, which may have come loose inside the carton during shipment.
- To prevent possible scratches and damage, this furniture **MUST BE ASSEMBLED BY TWO PEOPLE** on a soft surface such as a blanket or carpet.



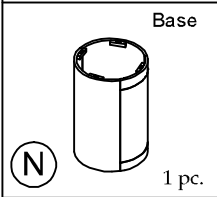
Components & Hardware packed with the # 38432 Desk Top

|                                      |                                      |   |   |                                  |
|--------------------------------------|--------------------------------------|---|---|----------------------------------|
| <p>Top Desk Top</p> <p>(A) 1 pc.</p> | <p>Top Desk Leg</p> <p>(B) 1 pc.</p> | <p>Bottom Desk Top</p> <p>(C) 1 pc.</p> | <p>Bottom Desk Leg</p> <p>(D) 1 pc.</p> | <p>Metal L</p> <p>(E) 2 pcs.</p> |
|--------------------------------------|--------------------------------------|---|---|----------------------------------|

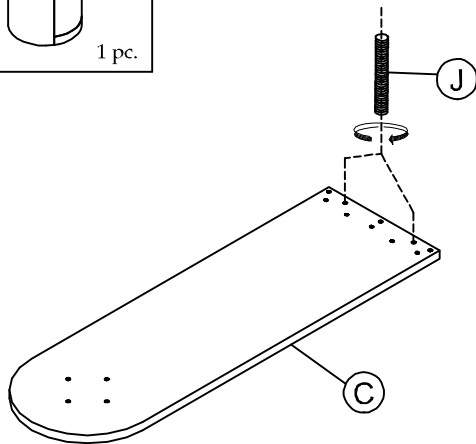
#38432  
Swivel Desk Top  
#38433  
Swivel Desk Base

|  |   |   |  |  |  |   |                                      |
|--|---|---|--|--|--|---|--------------------------------------|
| <p>Allen Head Bolt<br/>5/16" x 1 1/2 "</p> <p>(F) 4 pcs.</p> | <p>Allen Head Bolt<br/>5/16" x 7/8 "</p> <p>(G) 24 pcs.</p> | <p>Spring Washer<br/>5/16"</p> <p>(H) 32 pcs.</p> | <p>Flat Washer<br/>5/16" x 3/4"</p> <p>(I) 32 pcs.</p> | <p>All - Thread Bolt<br/>5/16"x 2"</p> <p>(J) 4 pcs.</p> | <p>Hex Nut<br/>5/16"</p> <p>(K) 4 pcs.</p> | <p>4mm x 4 3/8"<br/>Allen Key</p> <p>(L) 1 pcs.</p> | <p>Allen Wrench</p> <p>(M) 1 pc.</p> |
|--|---|---|--|--|--|---|--------------------------------------|

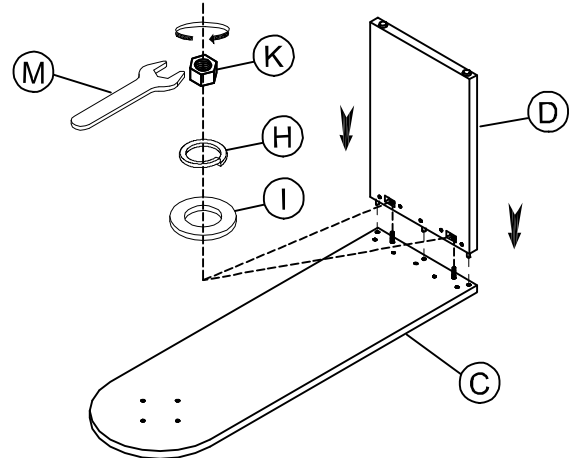
Components packed with the # 38433 Desk Base



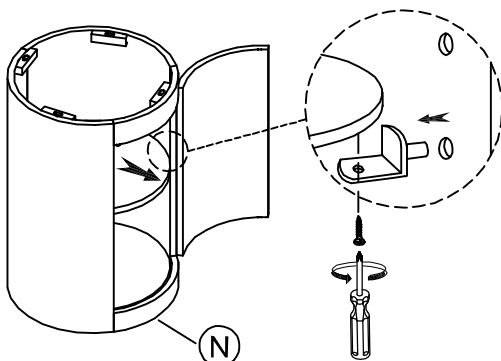
Step 1 :



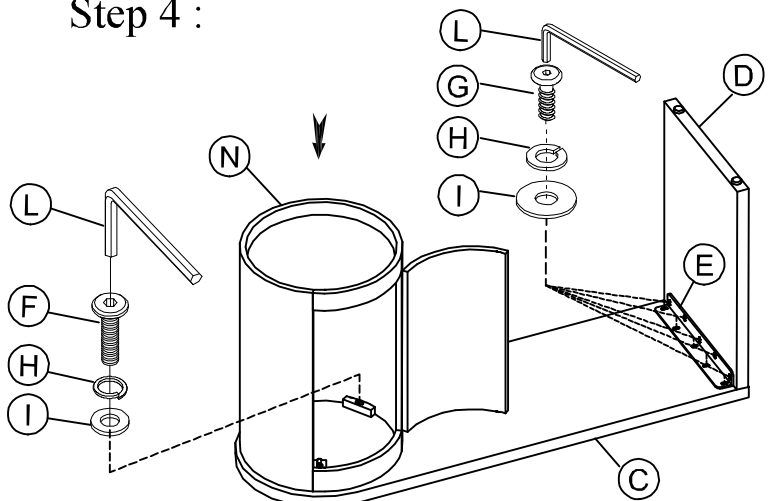
Step 2 :



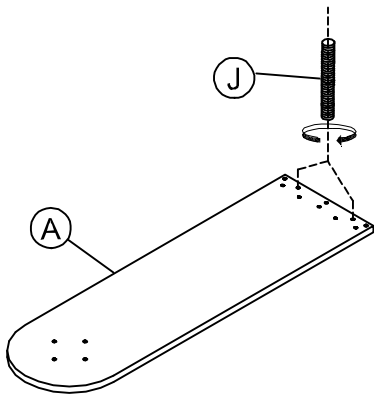
Step 3 : Remove Shelf



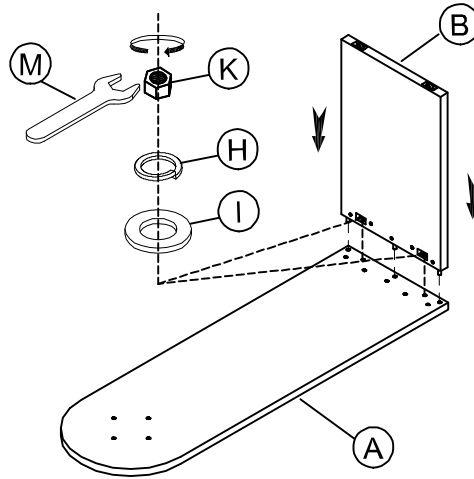
Step 4 :



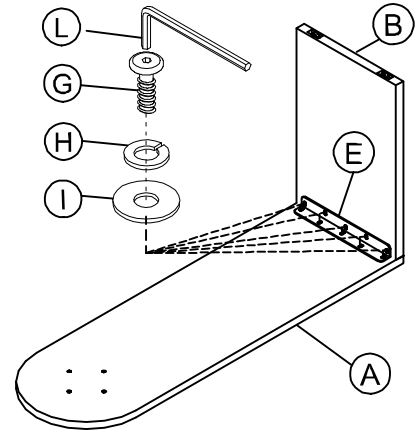
Step 5 :



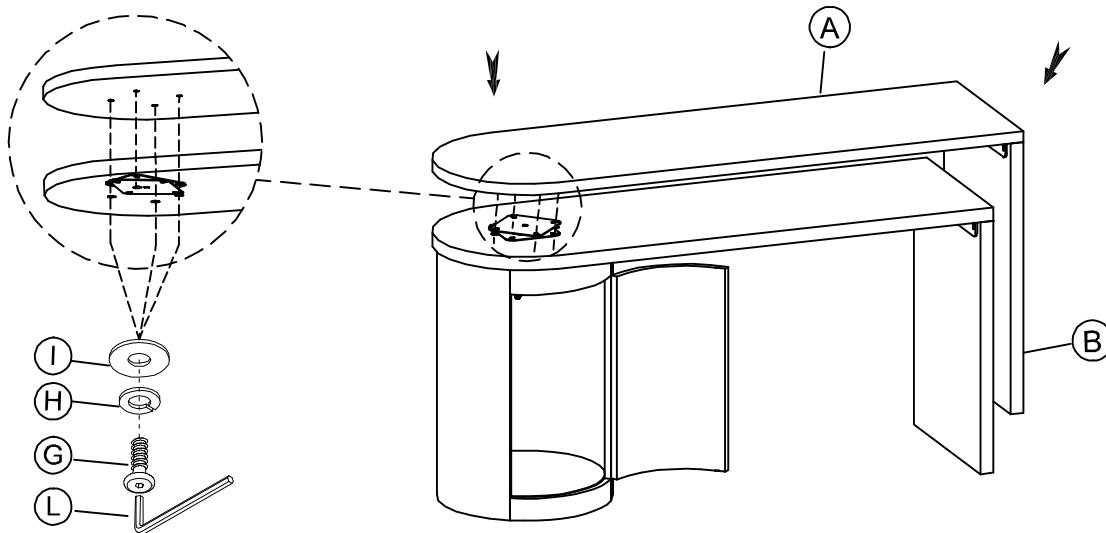
Step 6 :



Step 7 :



Step 8 :



Step 9 : Attach Shelf

